

HJBM PLUS 25 M4 0,06kW (268263103)

GENERAL DATA



SQUARE WALL PLATE FAN, VARIABLE PITCH BLADES AND HIGH EFFICIENCY MOTOR

MANUFACTURING FEATURES

- Squared frame in galvanized steel sheet with C4 anti-corrosion finish.
- Variable pitch angle polyamide impeller reinforced with fibreglass.
- Supplied with motor support and protection guard according to the UNE-EN 20-359-74 norm and the ROHS 2002/95/EC Directive (Restriction of the Use of Certain Hazardous Substances in Electrical and Electronic Equipments).
- High efficiency standard asynchronous squirrel-cage motor with IP-55 or IP-54 protection (wiring box IP-65) and Class F insulation. Manufactured with standard voltages: 230V 50Hz for single phase motors, 230/400V 50Hz for three phase motors.

APPLICATIONS

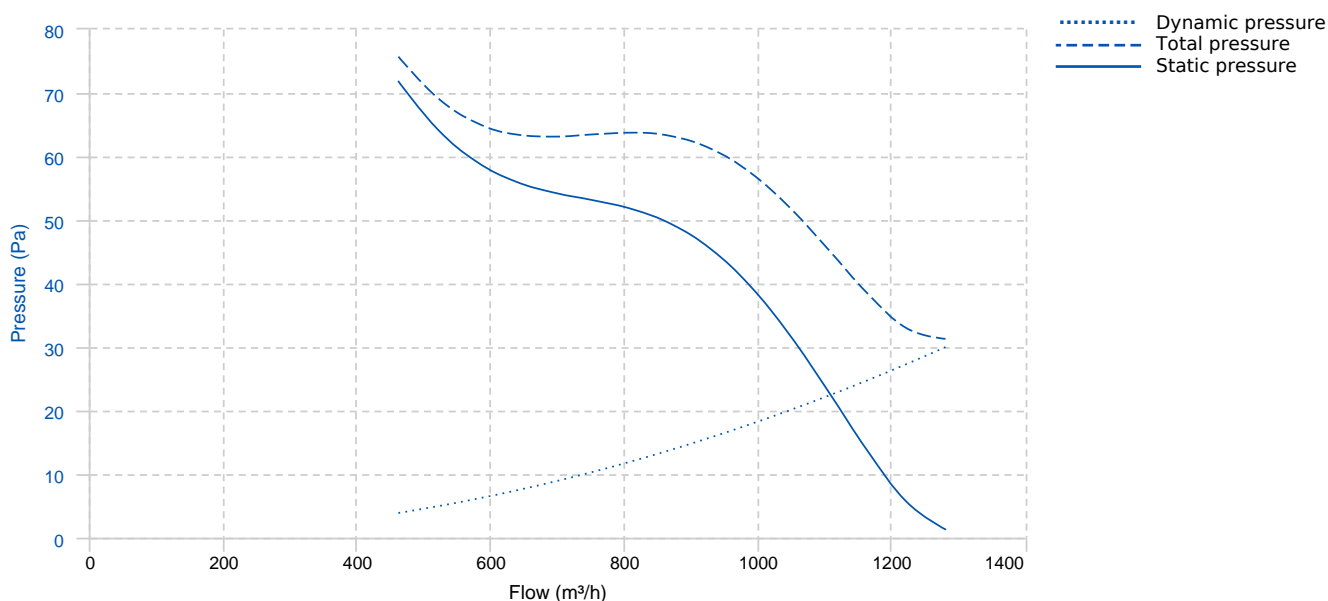
Designed for wall assembly, they are suitable for:

- Air renewal in buildings and industries.
- Maximum working temperature: single phase 50°C, three phase 60°C.

UNDER REQUEST

- Aluminium impeller.
- 60Hz fans.

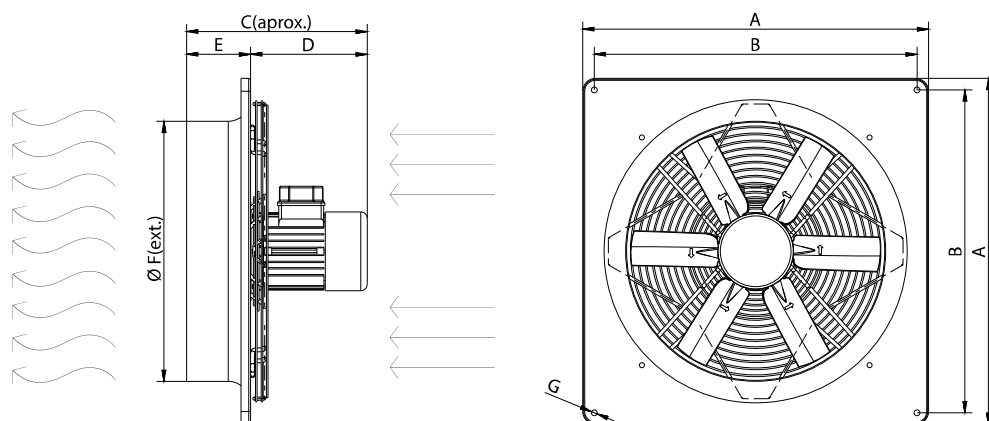
PERFORMANCE CURVE



TECHNICAL DATA

Fan							
RPM	1400	Approx. weight	4 kg	Max. Flow	1290 m³/h		
Motor							
Power	0,06 kW	RPM	1400	Capacitor	4µF 450V	I max. (230V)	0,58 A
Size	56	Approx. weight	2.8 kg	Efficiency (%)	50 %	FP	0.9

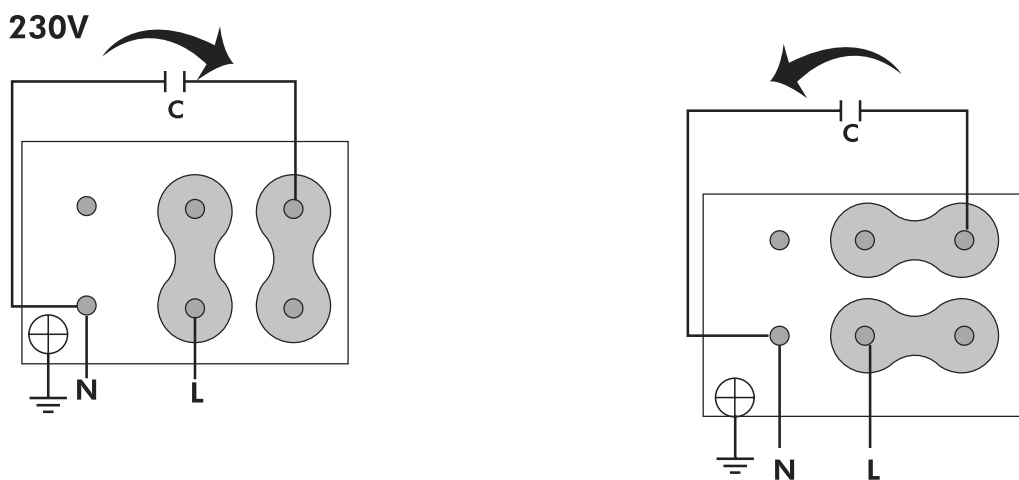
DIMENSIONS



Dimensions (mm)

A	370	B	320	C	251,5	D	173,5	E	78
ØF	253	ØG	7						

WIRING DIAGRAM



ACCESSORIES



SAFETY SWITCH
INT 25 3P A
REF: INT253PA

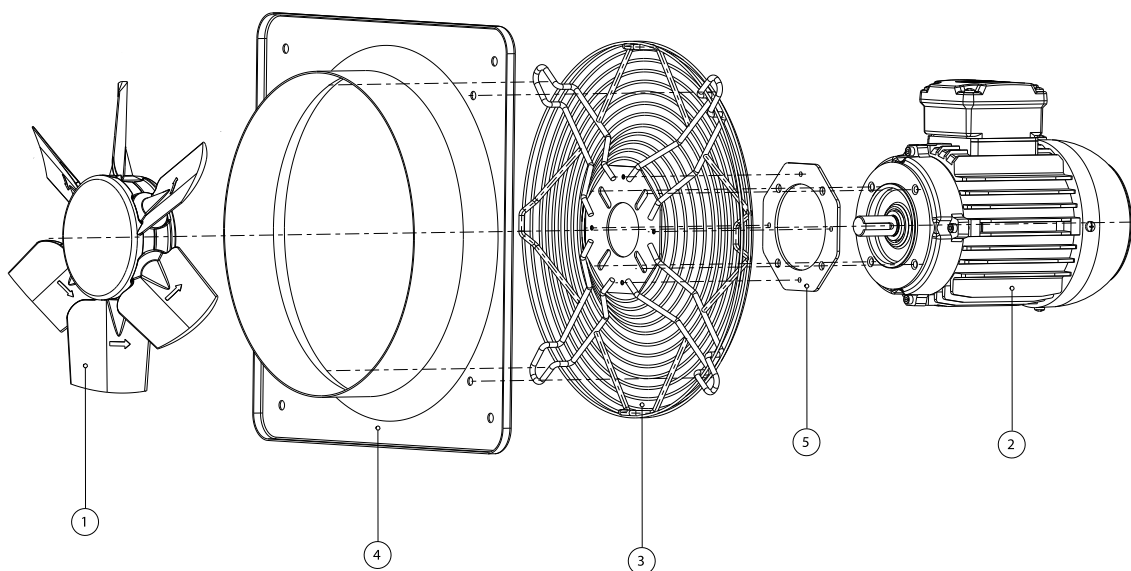


Outlet protection guard for axial fans
RPO 25
REF: 980000025



PLASTIC GRAVITY SHUTTER
PCP 25
REF: 963200105G

SPARE PARTS



	Code	Model	Qty
1	R-H25006040PSTD	IMPELLER 250:AP0:6 G40:D9	x1
3	R-268251902	PROTECTION GRID HJBM25	x1
4	R-268251778A001	FRAME HJBM25	x1
5	R-268251909	SUPPORT MOTOR DISC HJBM25-30 T.56	x1